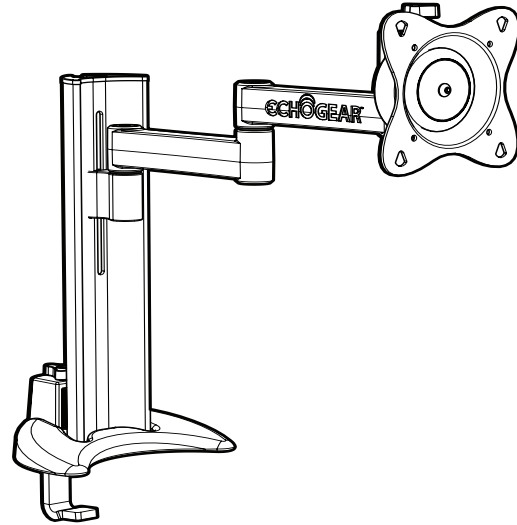


ECHOGEAR™

#YourGearUpgraded



SINGLE SCREEN
MONITOR STAND FOR GAMING
INSTRUCTION MANUAL

Model **ECHO-GM1C**

IMPORTANT SAFETY INSTRUCTIONS. **READ** ENTIRE MANUAL PRIOR TO QUEST. **SAVE** THESE INSTRUCTIONS.

BEFORE YOU EMBARK ON YOUR QUEST... *just read it so you don't get pwned!*

Please read through these instructions completely and check your monitors' owner manual to see if there are any special requirements for mounting your monitor.

If you do not understand these instructions, are a noob or have doubts about the safety of the installation, assembly or use of this product, contact:

The Echogear Pros @ 1-855-428-2490 or www.echogear.com.

⚠ CAUTION: Manufacturer is not responsible for damage or injury caused by incorrect assembly or use. To avoid any potential personal injuries, property damage or tipping:

- ▶ Your mounting surface must be stable and rugged enough to support the weight and motion of the monitor and mount.
- ▶ Do not use this product for any purpose not explicitly specified by manufacturer.

WEIGHT RESTRICTIONS
For monitor (including accessories)
CANNOT EXCEED:



*"You even lift, Brah?...
Ok, even if you do... doooooon't do it."*



SIZE UP YOUR MOUNTING SURFACE

DESKTOP THICKNESS



0.8 in. -2.6 in.
(20.32 mm-66.04 mm)



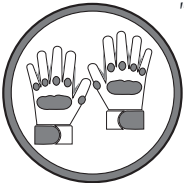
**UUUUHHH?!?
Unsure?**

Contact The Echogear Pros:
1-855-428-2490
www.echogear.com



POWER UP! GRAB THESE TOOLS FROM YOUR ARSENAL

Required to Get the Job Done



Yo Hands

"No snapin
pics for
twitter til
your done!"



**Phillips
Screwdriver**

"Phil is
the boss"



BONUS LOOT!

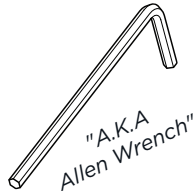
3 FREE Inside Every Box

Hex Keys

5/16 **A**

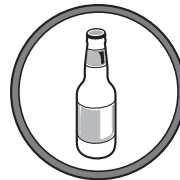
5/32 **B**

M⁵ **C**

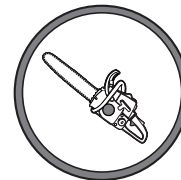


"A.K.A
Allen Wrench"

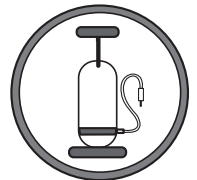
Optional Based on Skill Level



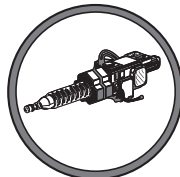
Refreshment



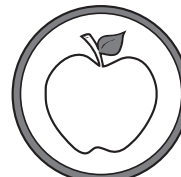
Saw



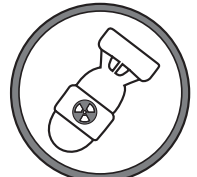
Pump



BFG



Apple



Mini-Nuke

We're driven to give DIYers an awesome install experience. We stand behind everything we make because you deserve the best entertainment experience without sacrificing quality and spending your whole paycheck.

Guess what? We'll help you through the entire process, too.

Why? Because we like to help and it's our passion to provide authentic service. We won't leave you hanging, no matter what.

Our U.S. based Echogear Pros answer the phone in all days ending in Y. That means availability to try and stump our expert staff 7 days a week.

Call us if you...

- 1 Have any questions before, during, or after install.
- 2 Need different hardware to fit your monitor model.
- 3 Just need someone to chat with. We're here for you.

HERE'S YOUR LOADOUT

⚠ WARNINGS: DON'T ALLOW CHILDREN TO FEED ON CONTENTS AND NEVER USE DAMAGED GOODS!



- ▶ This product contains small items that are a choking hazard if swallowed.
- ▶ Before you start assembly, verify all parts are included and undamaged. If any parts are missing or damaged, do not return the damaged item to your dealer; contact Customer Service.



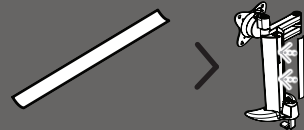
GEAR FOR LEVEL 1

1 Desk Mount



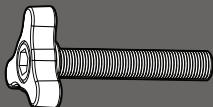
1

1 Mount Cover



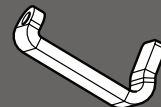
2

1 Knob
(Clamp Screw)



3

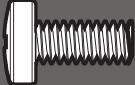
1 Clamp



4

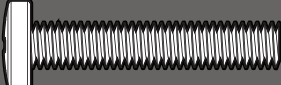
 **GEAR FOR LEVEL 2**

4 Screws
M4 X 12mm



5

4 Screws
M4 X 30mm



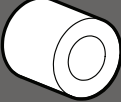
6

4 Spacers
5mm




7

4 Spacers
22mm



8


4 Washers



9


 **GEAR FOR LEVEL 3**

2 Cable
Covers




10

4 Cable Ties



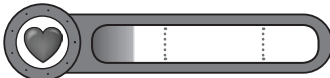
11
(AS NEEDED)

4 Screws
8-32x 1/2 in.

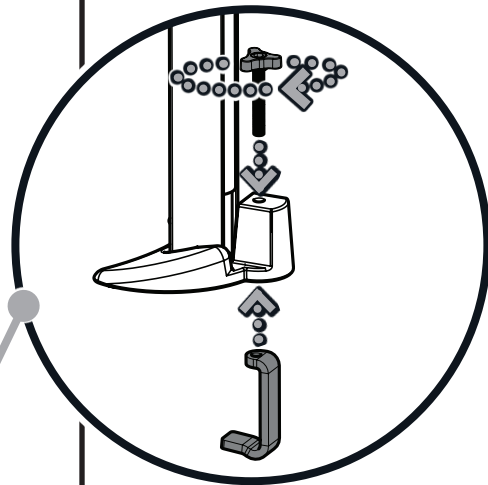
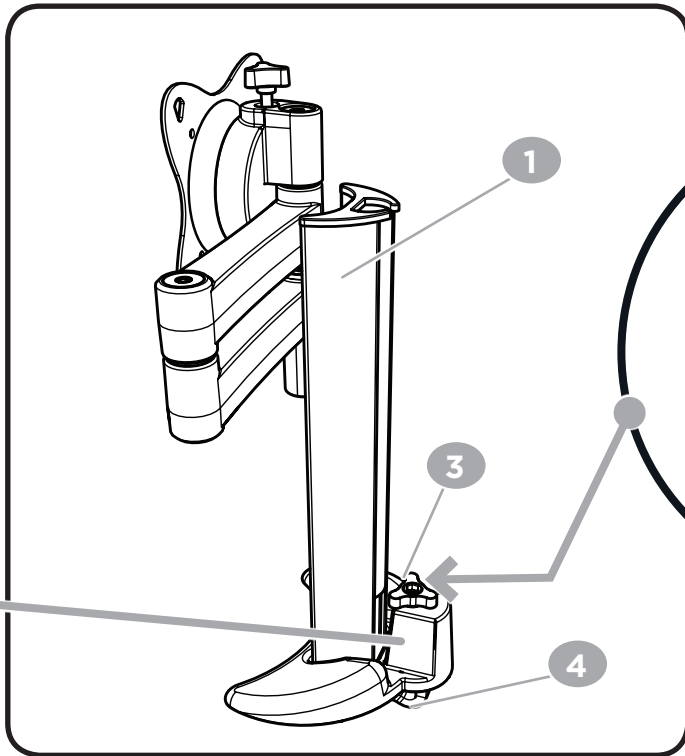
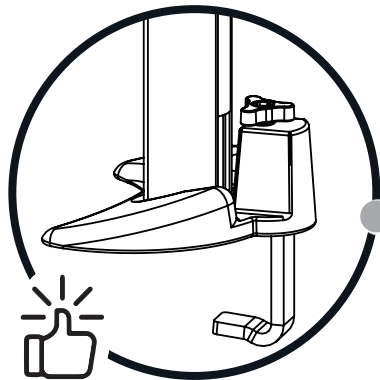
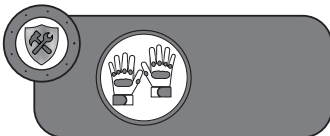
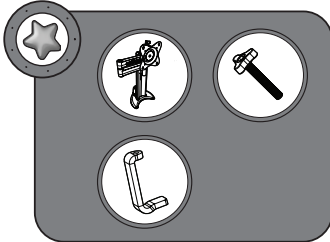


12

LEVEL 1 LOCK IT DOWN! ASSEMBLE CLAMP AND MOUNT TO DESK

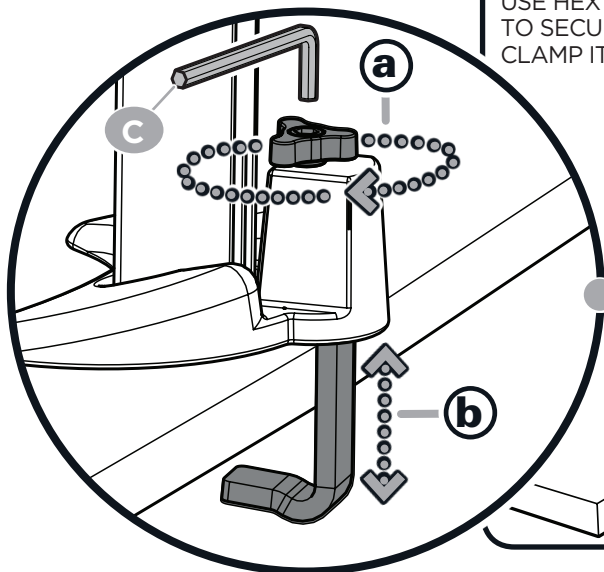
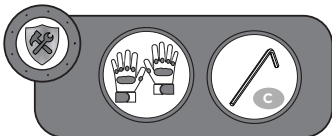
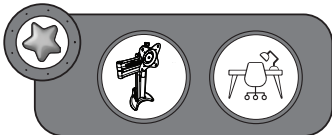


STAGE 1: Insert Knob into Mount and Attach Clamp

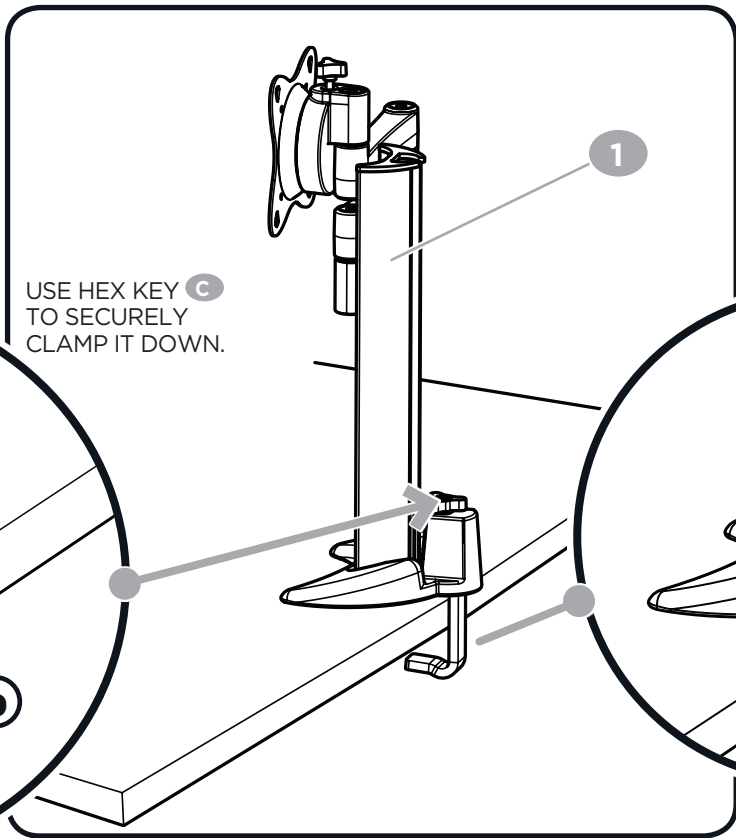


*"You spin me right round, baby
right round like a record, baby
right round round...and
round and round and round..."*

STAGE 2: Secure Clamp to Surface



USE HEX KEY **c**
TO SECURELY
CLAMP IT DOWN.



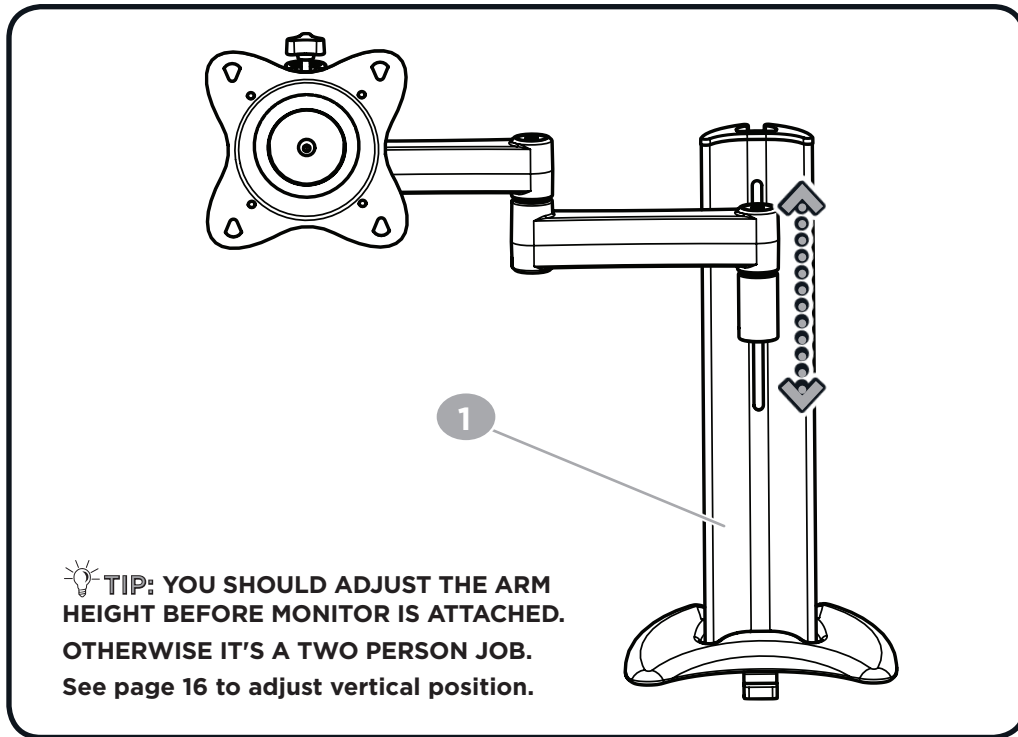
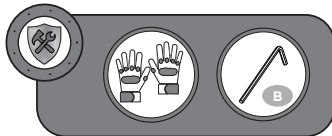
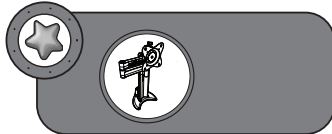
*"...and round and round
and round and round."*



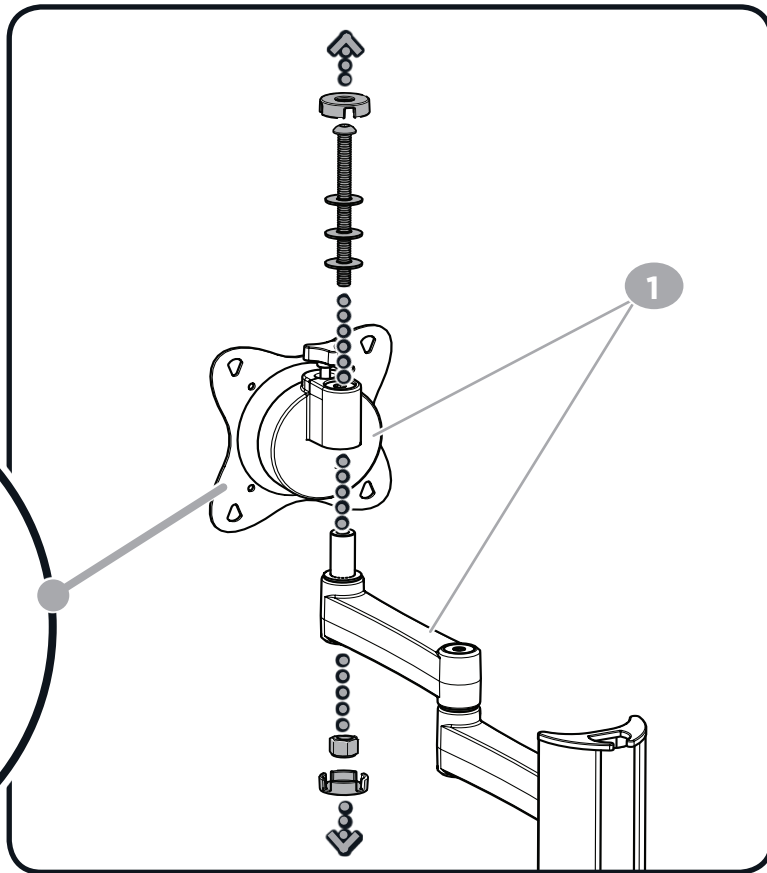
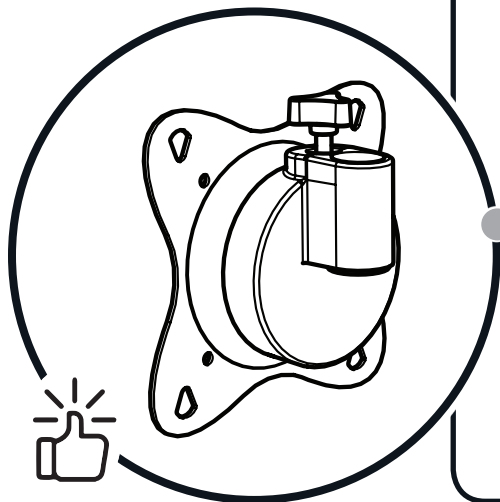
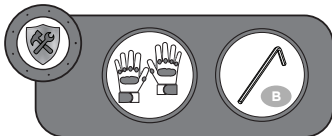
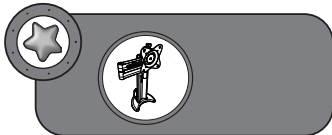
LEVEL 2 DISMANTLE MODE! REMOVE BRACKET TO ATTACH MONITOR



STAGE 1: Adjust Arm to Desired Height (Optional)

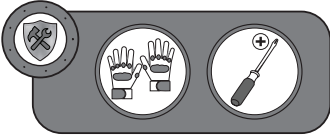
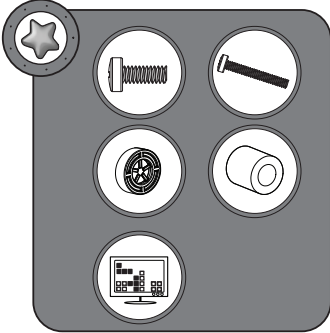


STAGE 2: Remove Monitor Bracket from Arm



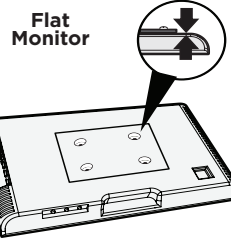


STAGE 3: Determine Screw Length and Spacer Size

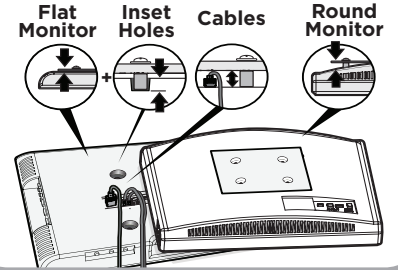


Select
Spacers
(if needed)

NOT NEEDED



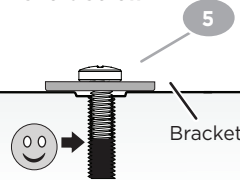
NEEDED FOR



or

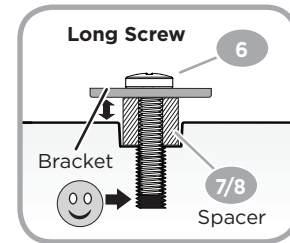
Select
Screws

Short Screw

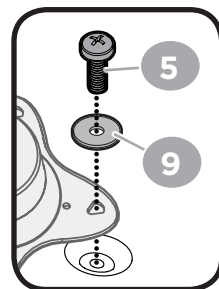
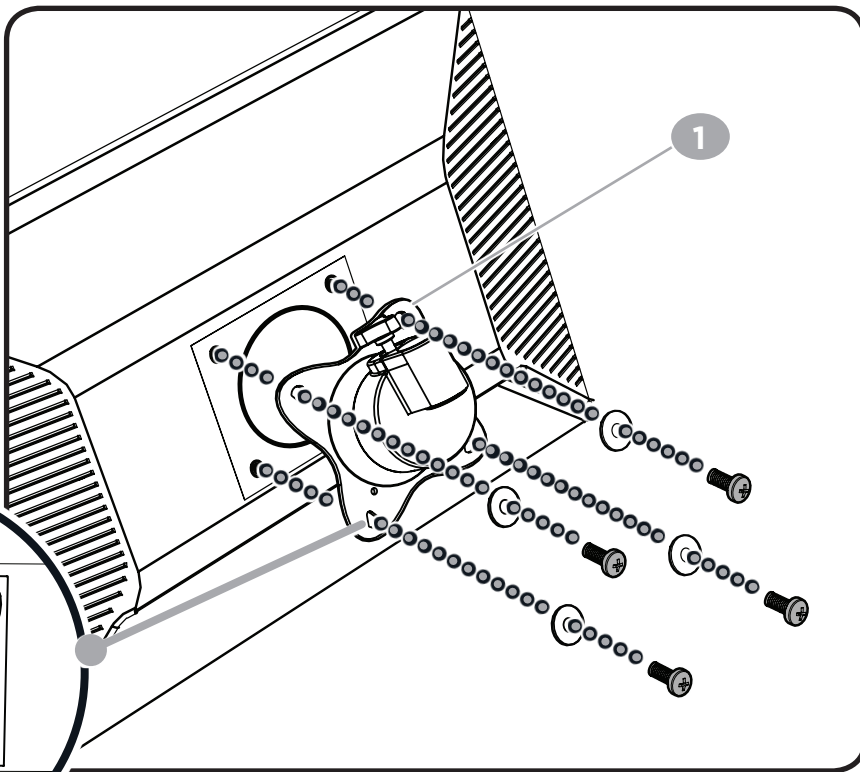
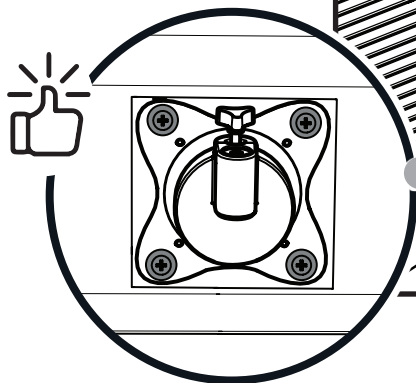
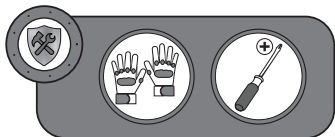
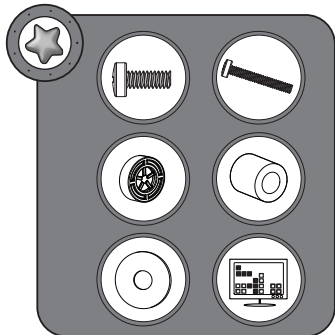


Long Screw

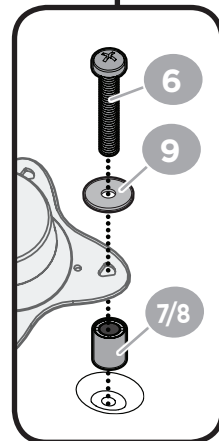
or



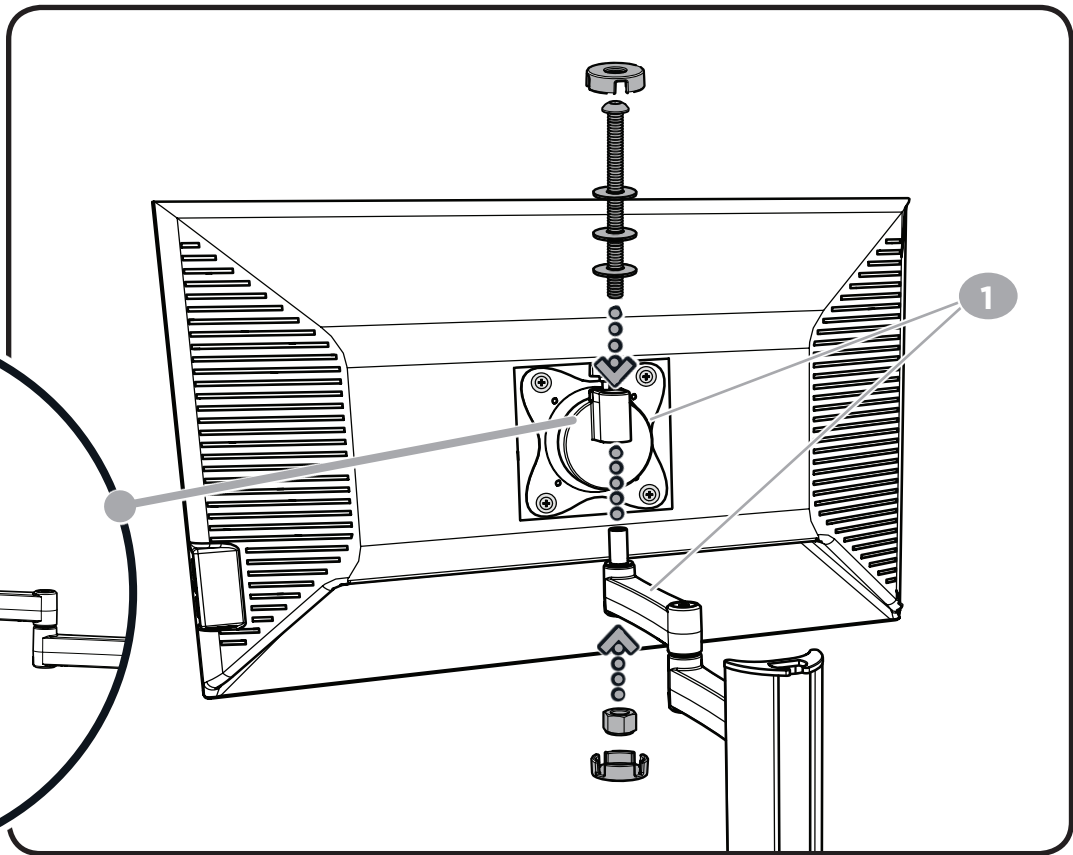
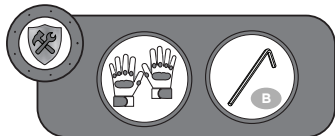
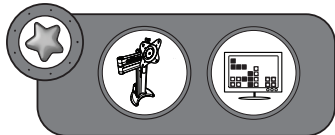
STAGE 4: Attach Mount To Monitor



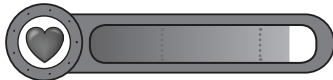
OR



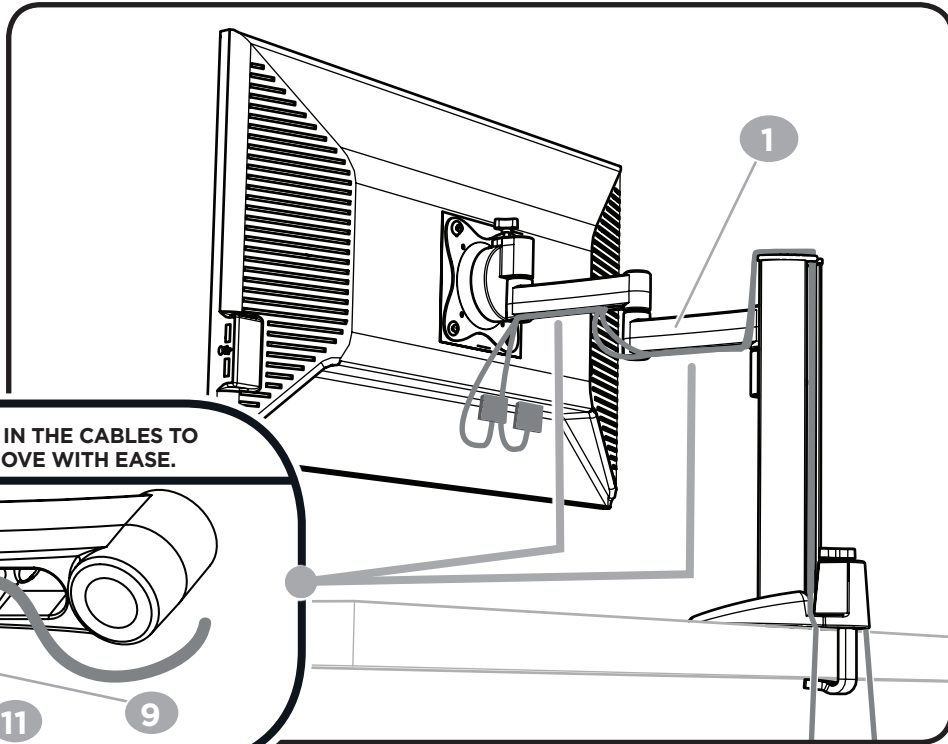
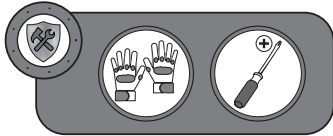
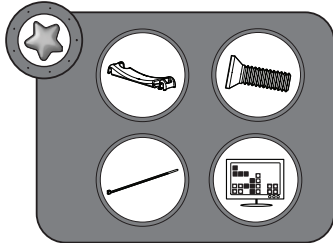
STAGE 5: Hang Monitor onto Arm Bracket



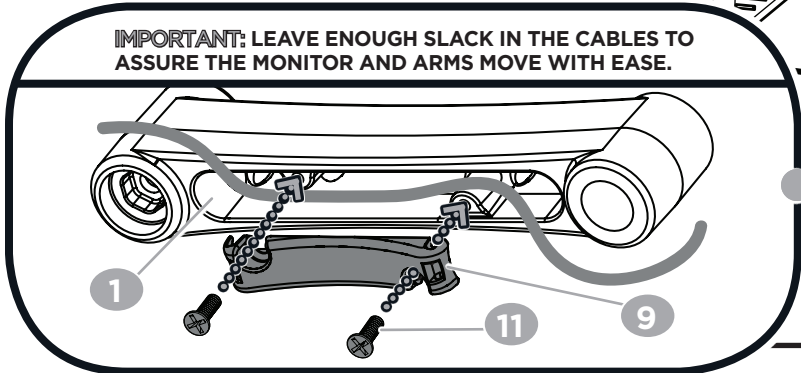
LEVEL 3 CONTROL THE MELEE! ROUTE AND DISGUISE CABLES



STAGE 1: Route Cables and Attach with Arm Covers⁺²

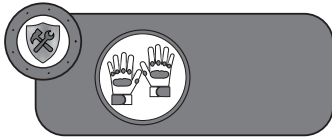
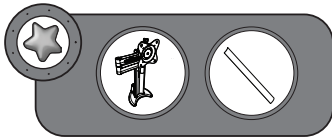


IMPORTANT: LEAVE ENOUGH SLACK IN THE CABLES TO ASSURE THE MONITOR AND ARMS MOVE WITH EASE.

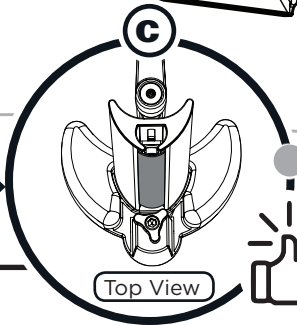
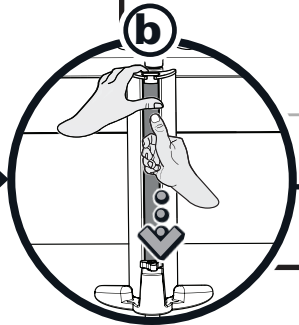
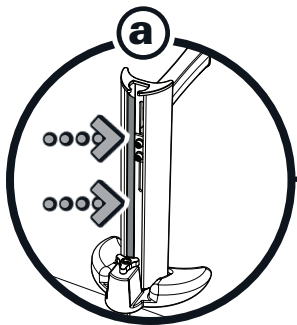
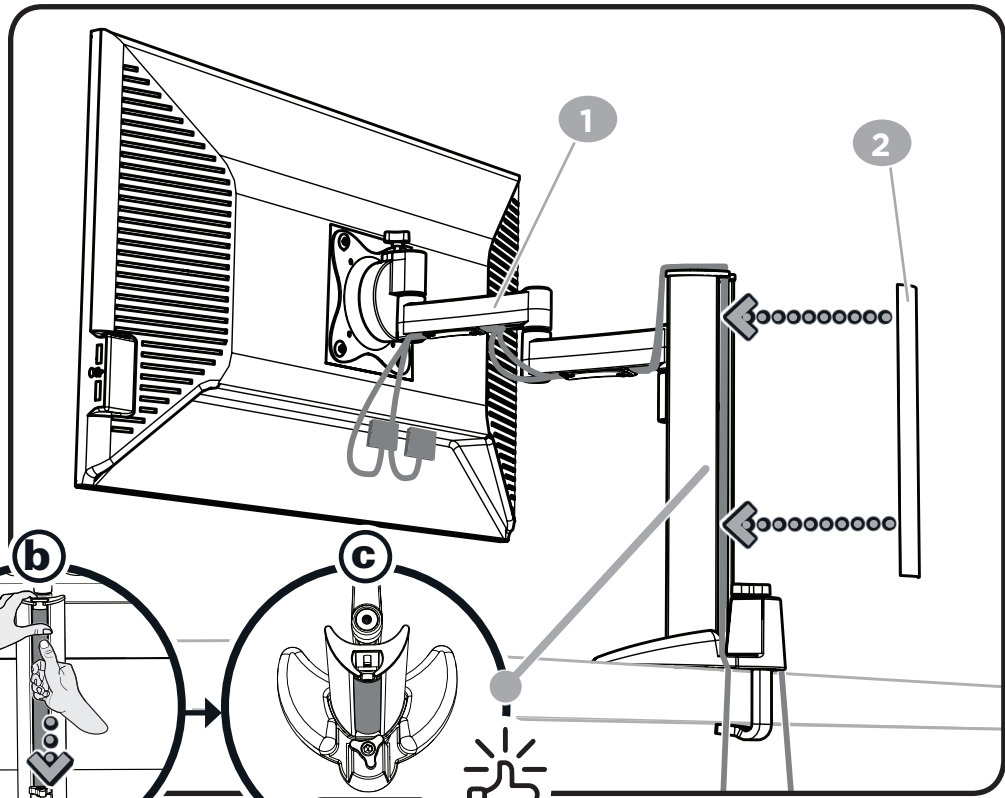


♥ "U R A BOSS"

STAGE 2: Snap in Plastic Sheet¹⁺ to Disguise Cables

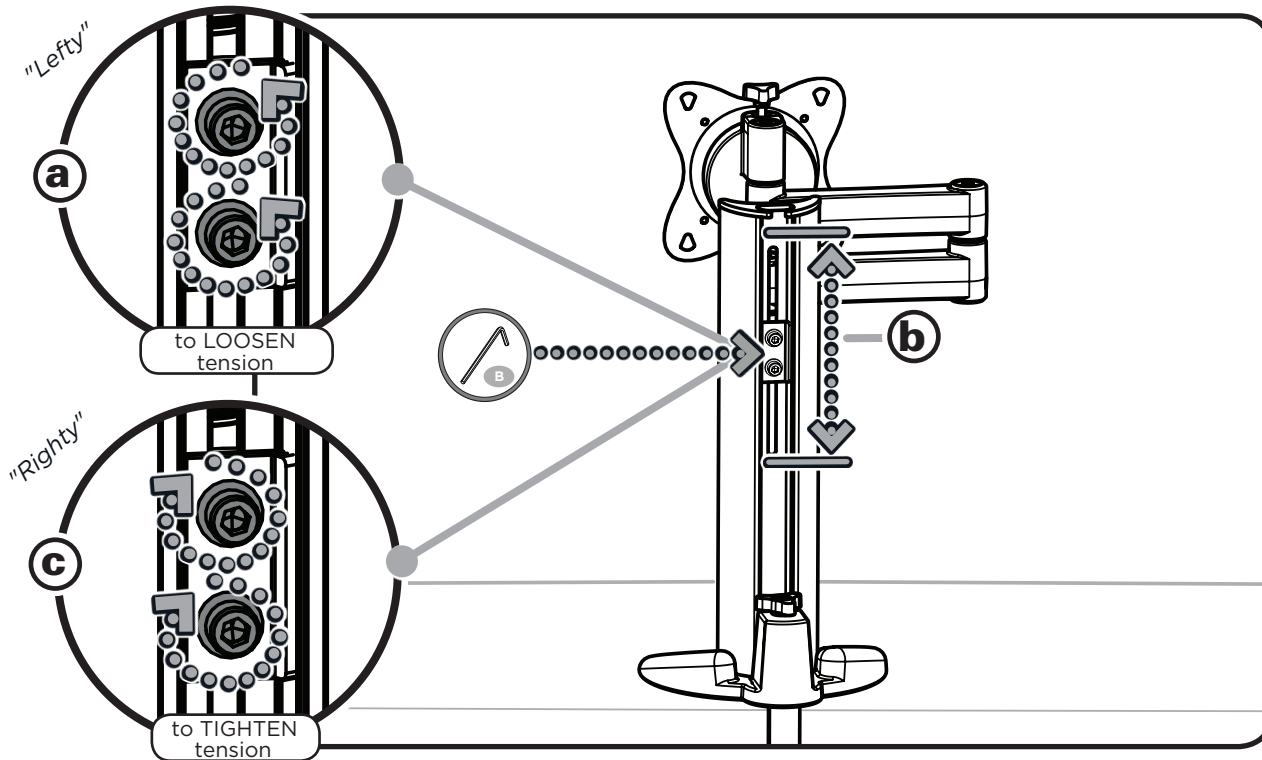


"Time to post some pics
of your battestation.
Don't forget to add:
#YourGearUpgraded"



BONUS LEVEL! ADJUSTMENTS /MODIFIERS

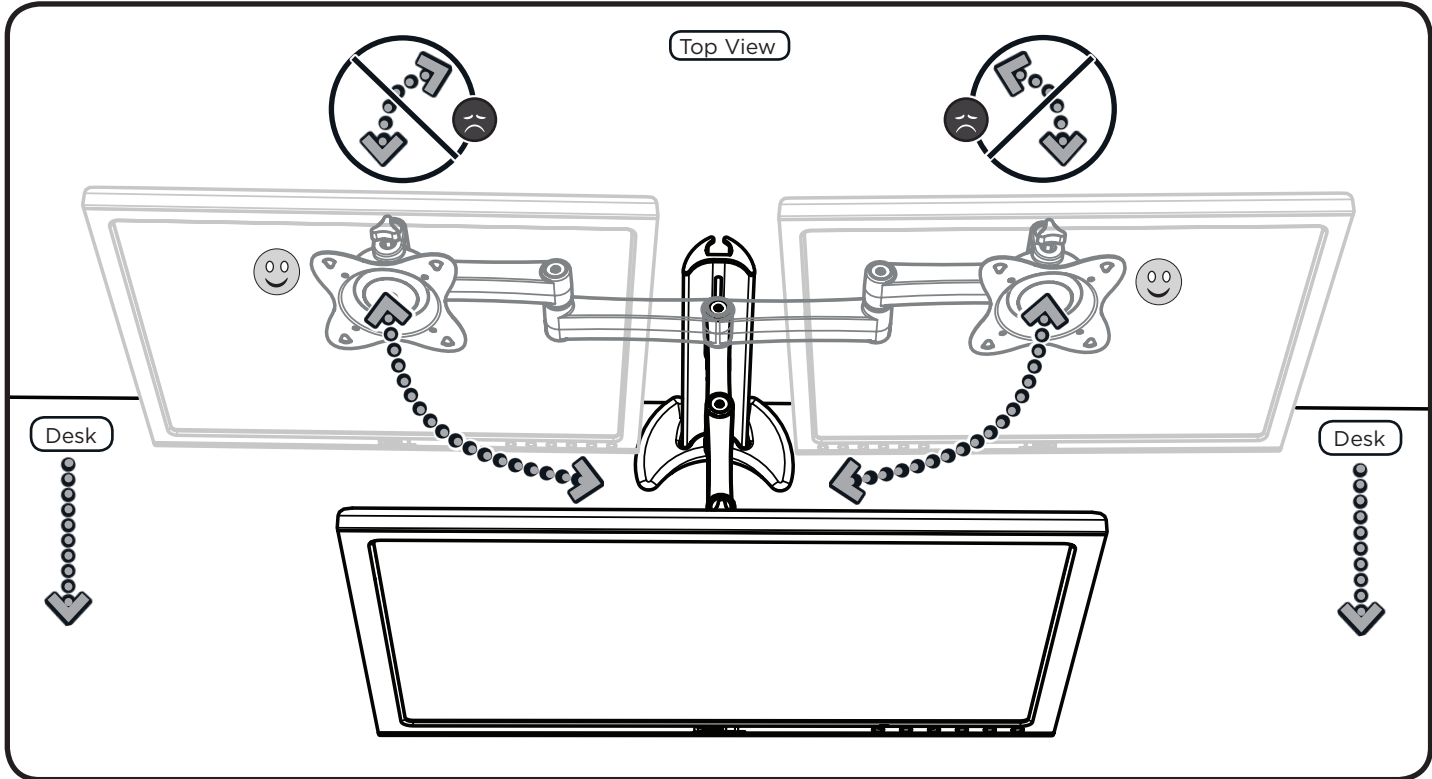
Vertical Position - Adjust Mounting Bar Up and Down





Horizontal Position - Adjust Monitors Left or Right

⚠ WARNING: MONITOR MUST REMAIN OVER DESK SURFACE.

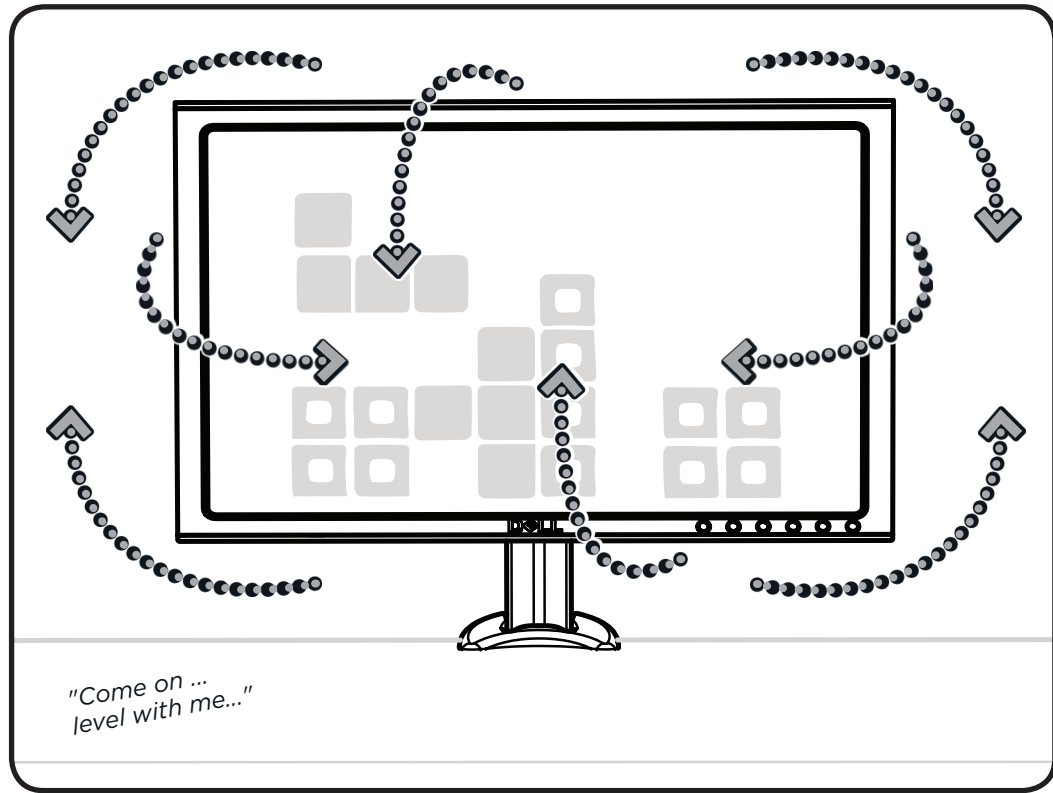




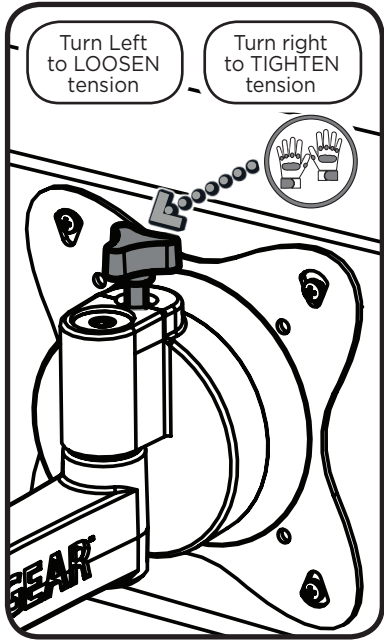
Tilt &



Level



TIP: IF THE MONITOR IS EITHER NOT STAYING IN DESIRED POSITION OR NOT MOVING WITH EASE, ADJUST KNOB ON BACK OF BRACKET.



HOW TO REMOVE MOUNT FROM MONITOR AND SURFACE



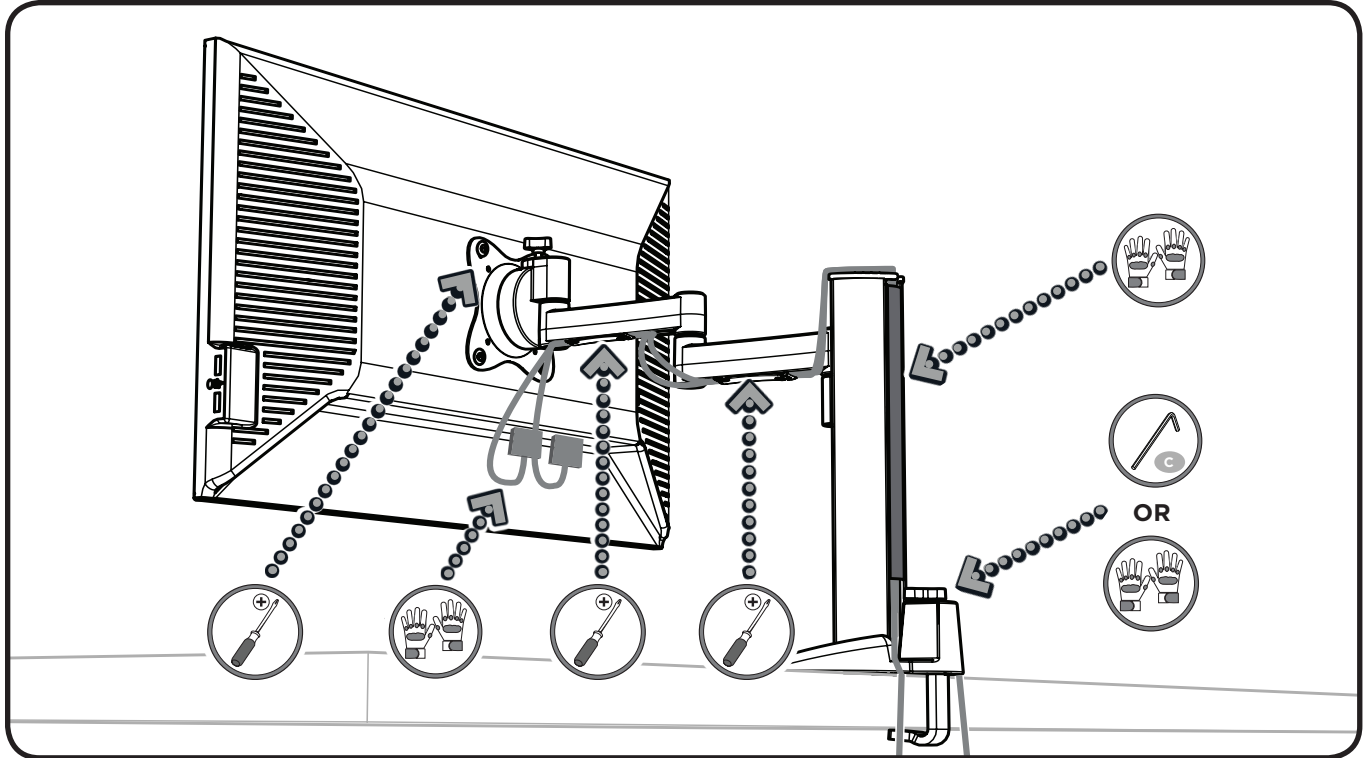
1. Remove Cables



2. Remove Monitor



3. Remove Mount





“Wanna show off your skillzz?
Share a picture of your completed mount
with **#YourGearUpgraded**.
Who knows, it might not be as bad as you thought”

Confuzzled? Contact the ECHOGEAR Pros:



1-855-428-2490



helpmehelpyou@ECHOGEAR.com



ECHOGEAR.com

Milestone AV Technologies and its affiliated corporations and subsidiaries (collectively, “Milestone”), intend to make this manual accurate and complete. However, Milestone makes no claim that the information contained herein covers all details, conditions, or variations. Nor does it provide for every possible contingency in connection with the installation or use of this product. The information contained in this document is subject to change without notice or obligation of any kind. Milestone makes no representation of warranty, expressed or implied, regarding the information contained herein. Milestone assumes no responsibility for accuracy, completeness or sufficiency of the information contained in this document.

©2017 Milestone AV Technologies. All rights reserved. ECHOGEAR is a Milestone brand.

ECHOGEAR and the ECHOGEAR logo are trademarks of Milestone.

Made in China.

Milestone Global Headquarters • 6436 City West Parkway • Eden Prairie, MN 55344 USA

6901-602195 01