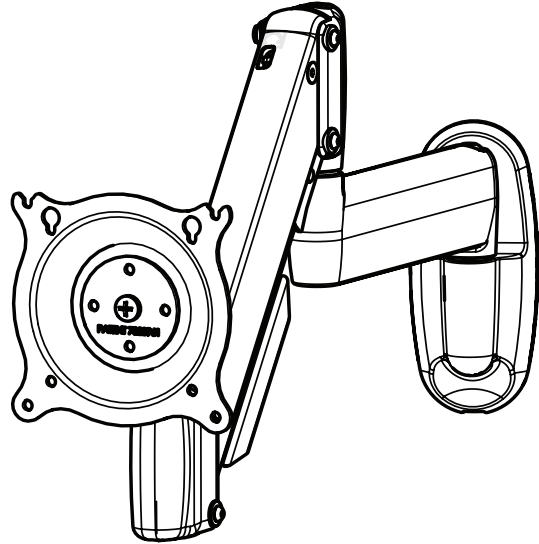


ECHOGEAR

#YourGearUpgraded



SINGLE SCREEN
WALL MOUNT FOR GAMING
INSTRUCTION MANUAL

Model **ECHO-GM1FW**

IMPORTANT SAFETY INSTRUCTIONS. **READ** ENTIRE MANUAL PRIOR TO QUEST. **SAVE** THESE INSTRUCTIONS.

BEFORE YOU EMBARK ON YOUR QUEST... *just read it so you don't get pwned!*

Please read through instructions completely and check your monitors' owner manual to see if there are any special requirements for mounting your monitor.

If you do not understand these instructions, are a noob or have doubts about the safety of the installation, assembly or use of this product, contact:
The Echogear Pros @ 1-855-428-2490 or www.echogear.com.

⚠ CAUTION: Manufacturer is not responsible for damage or injury caused by incorrect assembly or use. To avoid potential personal injuries or property damage:

- ▶ Your wall must be stable and rugged enough to support the weight and motion of the monitor and mount. Do not install in concrete or drywall alone!
- ▶ Do not use this product for any purpose not explicitly specified by manufacturer.

WEIGHT RESTRICTIONS
Each monitor (including accessories)
CANNOT EXCEED:

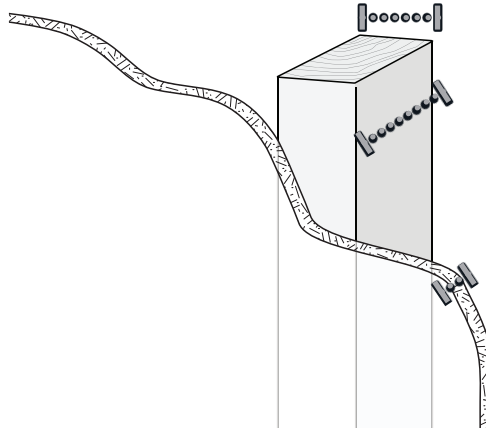


*"You even lift, Brah?...
Ok, even if you do... doooooon't do it."*



SIZE UP YOUR MOUNTING SURFACE

WOOD STUD AND DRYWALL THICKNESS



⚠ **Min. Wood Stud Width:**
nominal 2 in. (51 mm)
actual 1 ½ in. (38 mm)

⚠ **Min. Wood Stud Depth:**
nominal 4 in. (102 mm)
actual 3 ½ in. (89 mm)

⚠ **Max. Drywall Depth:**
5/8 in. (16 mm)



UUUUHHH?!?
Unsure?

Contact The Echogear Pros:
1-855-428-2490
www.echogear.com



POWER UP! GRAB THESE TOOLS FROM YOUR ARSENAL

Required to Get the Job Done

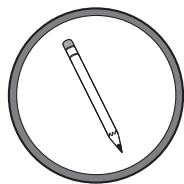


Yo Hands

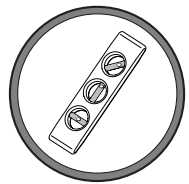
"Phil is the boss"



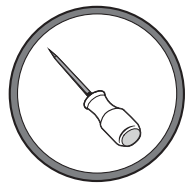
Phillips Screwdriver



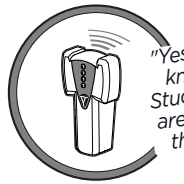
Pencil



Level



Awl



"Yes we know Stud, you are right there"

Stud Finder



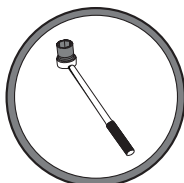
Drill

"Yeah! Let's get out some power tools!"



Drill Bit

1/8 in. (3 mm) Wood Bit



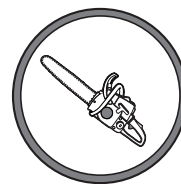
Socket Wrench

7/16 in. Socket

Optional Based on Skill Level



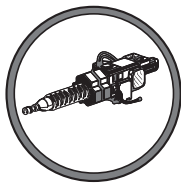
Refreshment



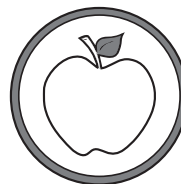
Saw



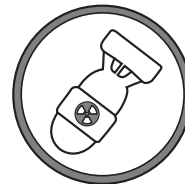
Pump



BFG



Apple



Mini-Nuke



BONUS LOOT!

3 FREE Inside Every Box

Hex Keys

3/16



5/32



3/32



"A.K.A. Allen Wrench"

We're driven to give DIYers an awesome install experience. We stand behind everything we make because you deserve the best entertainment experience without sacrificing quality and spending your whole paycheck.

Guess what? We'll help you through the entire process, too.

Why? Because we like to help and it's our passion to provide authentic service. We won't leave you hanging, no matter what.

Our U.S. based Echogear Pros answer the phone in all days ending in Y. That means availability to try and stump our expert staff 7 days a week.

Call us if you...

- 1 Have any questions before, during, or after install.
- 2 Need different hardware to fit your monitor model.
- 3 Just need someone to chat with. We're here for you.

HERE'S YOUR LOADOUT

⚠ WARNINGS: DON'T ALLOW CHILDREN TO FEED ON CONTENTS AND NEVER USE DAMAGED GOODS!

- ▶ This product contains small items that are a choking hazard if swallowed.
- ▶ Before you start assembly, verify all parts are included and undamaged. If any parts are missing or damaged, do not return the damaged item to your dealer; contact Customer Service.

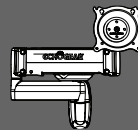
★ GEAR FOR LEVEL 1

1 Wall Plate



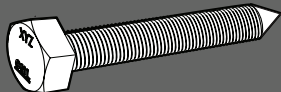
1

1 Full Motion
Wall Mount



2

2 Wall Screw
1/4 x 2 1/2 in.



3

2 Washers
1/4 in.



4



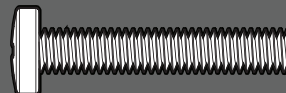
GEAR FOR LEVEL 2

4 Screws
M4 X 12mm



5

4 Screws
M4 X 30mm



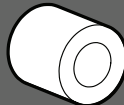
6

4 Spacers
5mm



7

4 Spacers
22mm

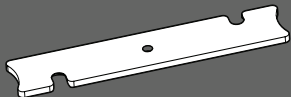


8



GEAR FOR LEVEL 3

1 Cable
Cover



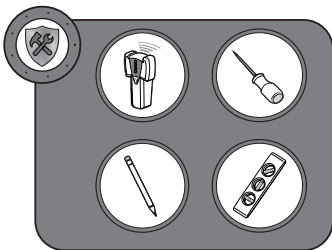
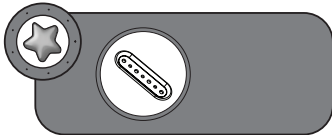
9

2 Screws
8-32x 3/8 in

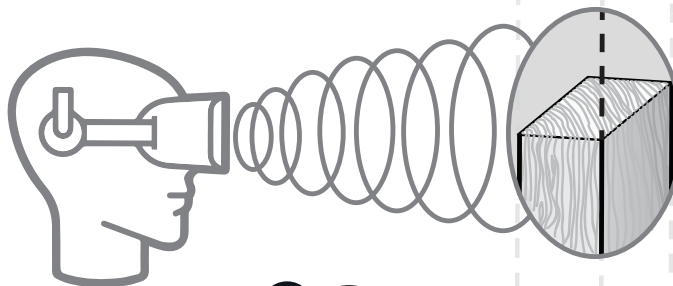


10

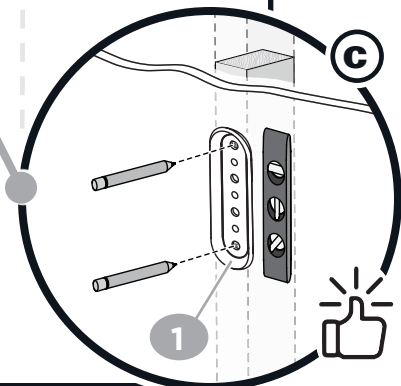
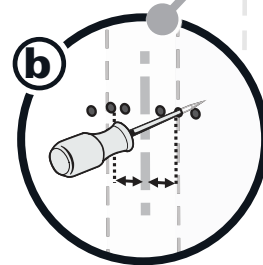
LEVEL 1 LOCK IT N' HANG IT! DRILL WALL PLATE TO WALL AND ATTACH ARM



STAGE 1: Find Center of Stud and Mark Drill Location



X-Ray Gear sold separately



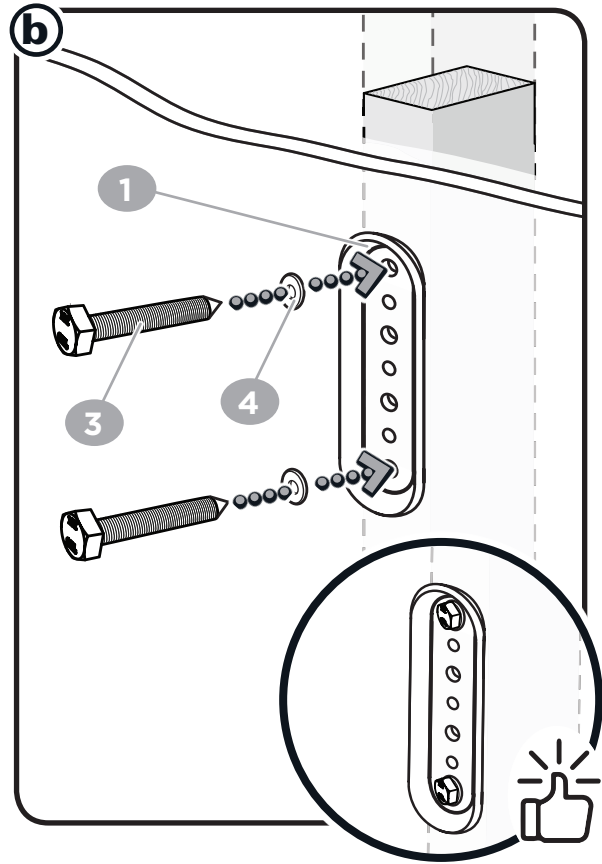
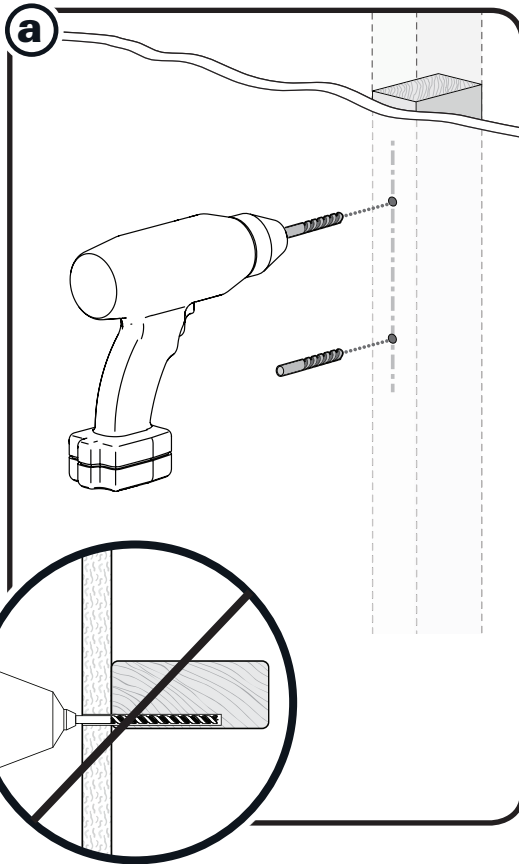
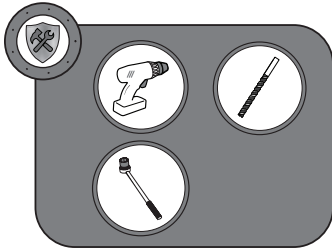
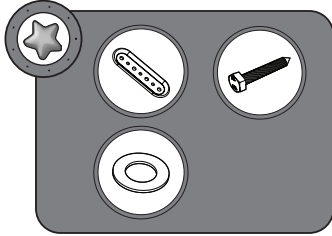
IMPORTANT: To avoid potential personal injuries and property damage:

- Drywall covering the wall must not exceed 5/8 in. (16 mm).
- Minimum wood stud size: nominal 2 x 4 in. (51 x 102 mm) actual 1 1/2 x 3 1/2 in. (38 x 89 mm).

USE A STUD FINDER AND VERIFY THE EDGES WITH AN AWL, DRILL BIT OR SOME SORT OF PIRING DEVICE.

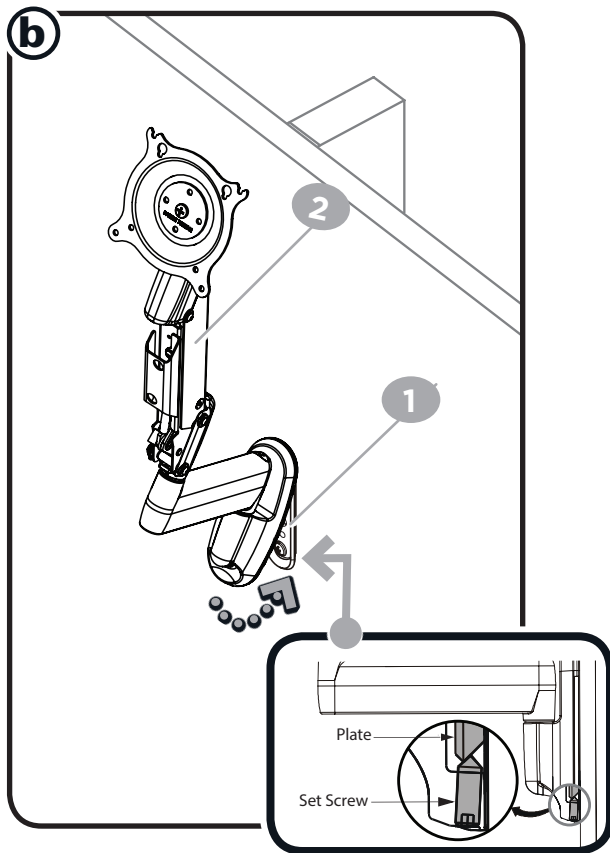
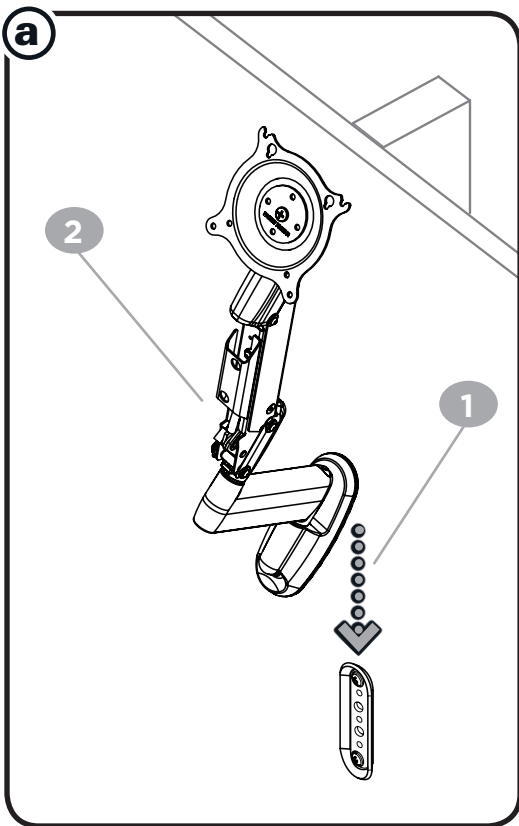
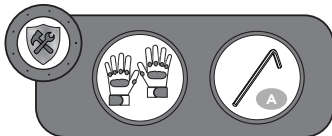
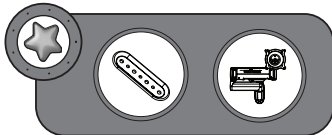


STAGE 2: Drill Holes and Attach Plate to Wall

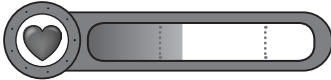




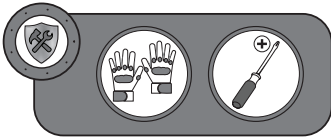
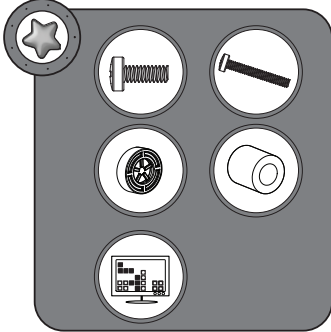
STAGE 3: Slide Mount onto Wall Plate and Tighten Screw



LEVEL 2 MAKE THE DROP! ATTACH MONITOR TO MOUNT



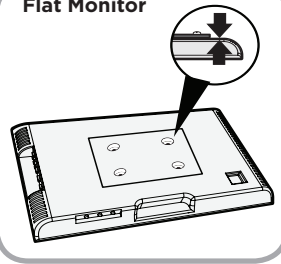
STAGE 1: Determine Screw Length and Spacer Size



Select
Spacers
(if needed)

NOT NEEDED

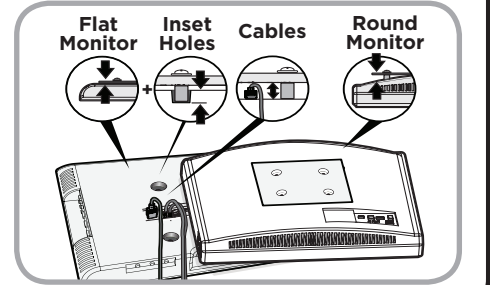
Flat Monitor



NEEDED FOR

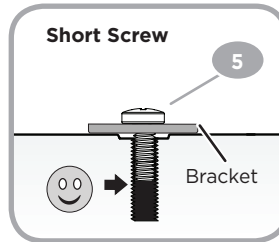
Flat Monitor Inset Holes Cables Round Monitor

or



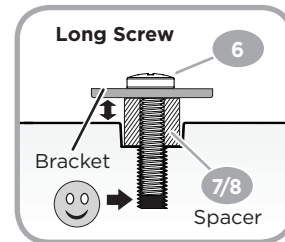
Select
Screws

Short Screw

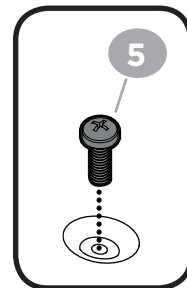
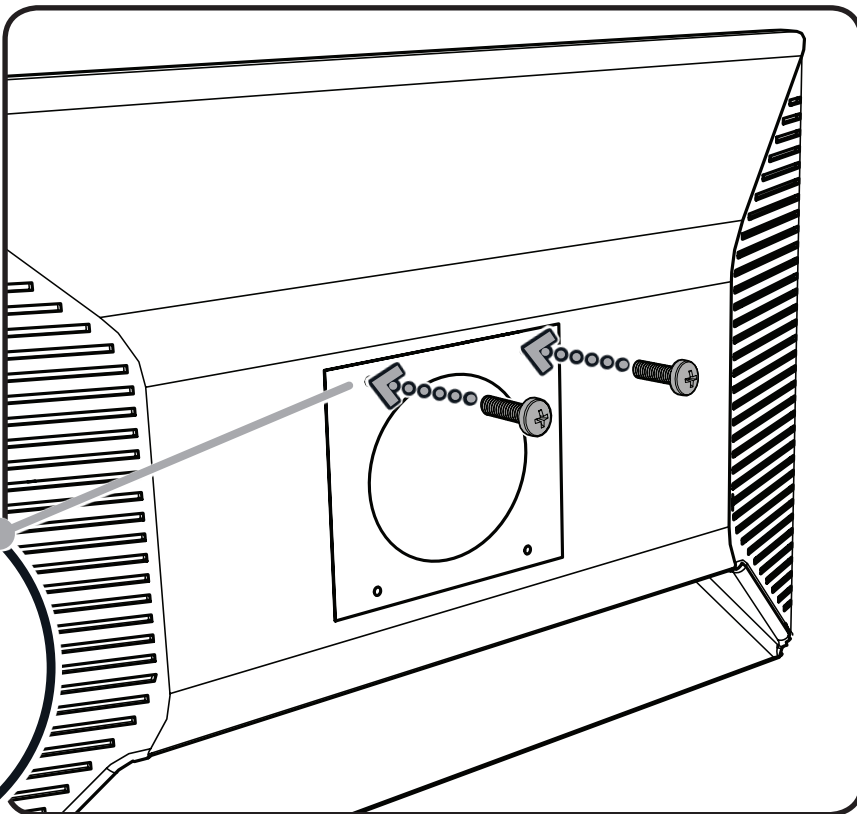
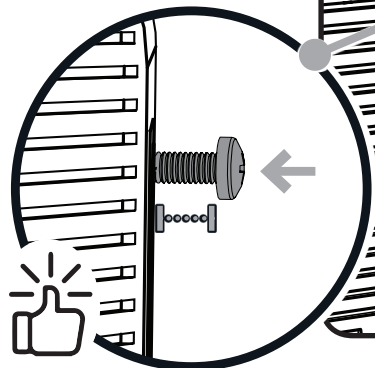
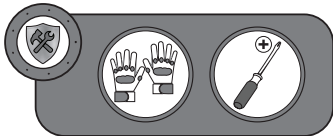
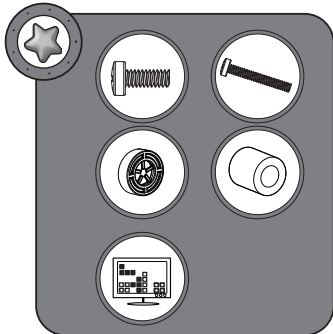


Long Screw

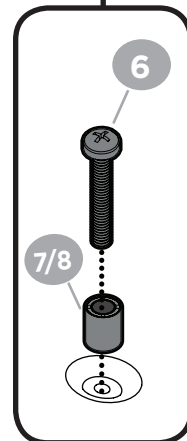
or



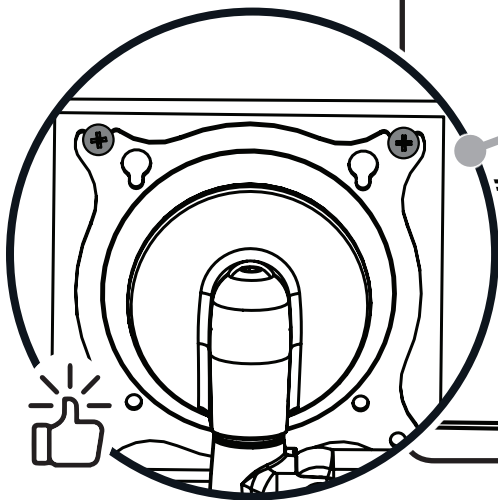
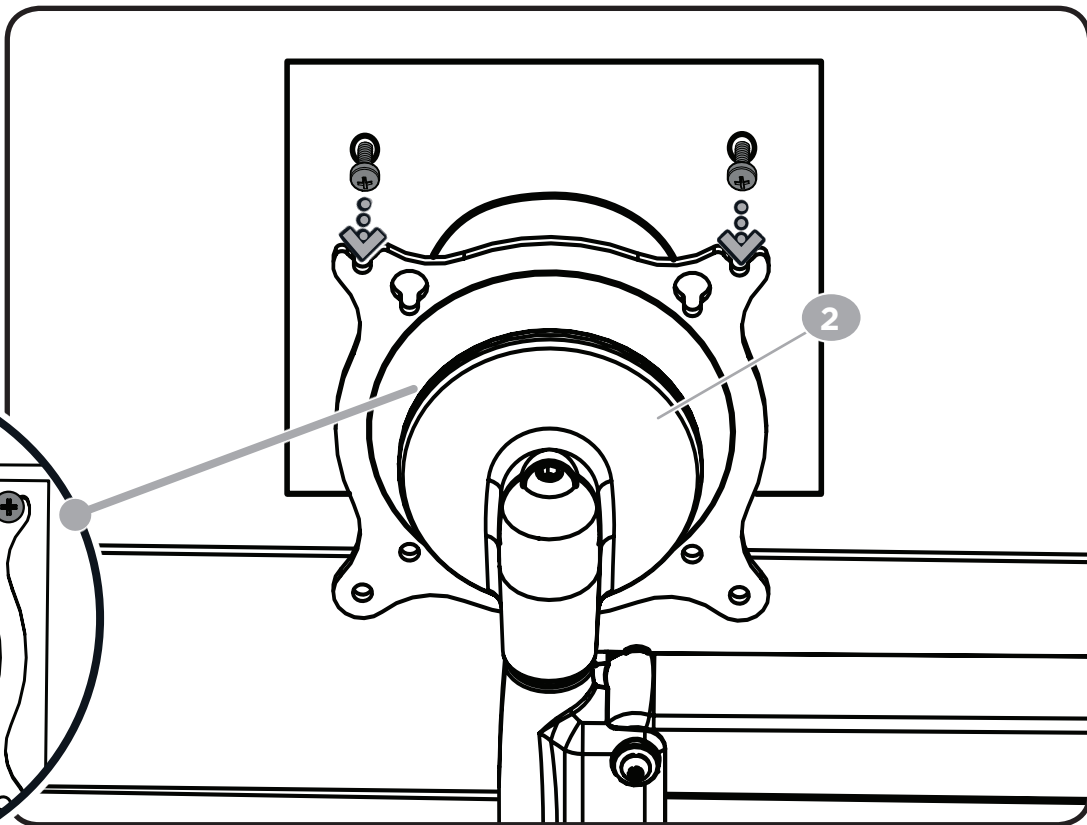
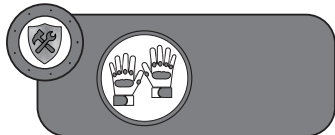
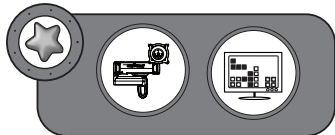
STAGE 2: Partially Insert Top Screws into Monitor



OR

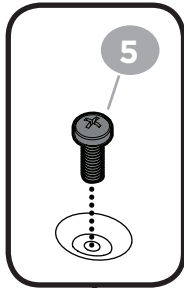
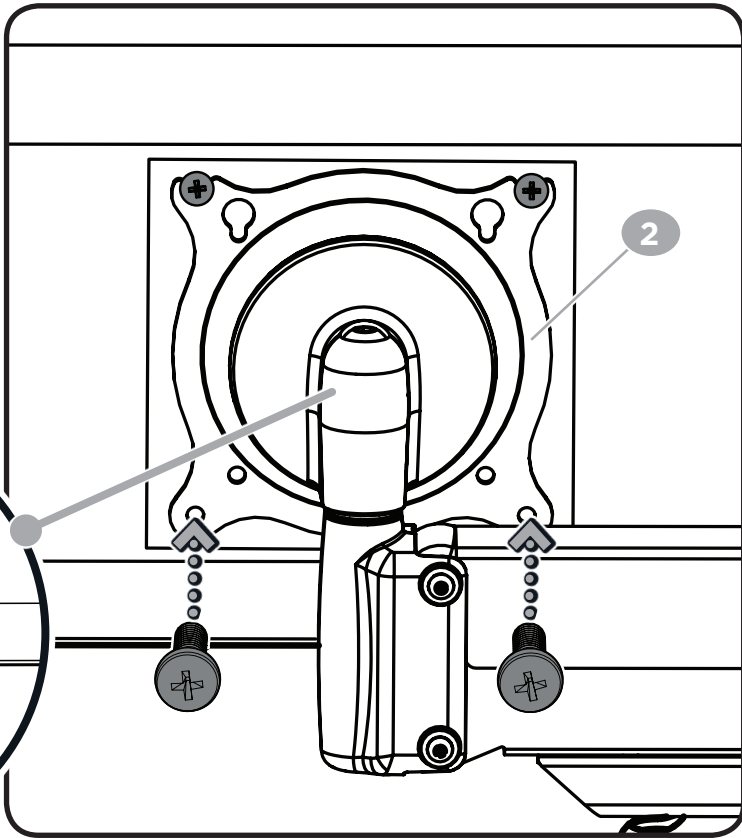
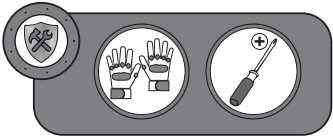
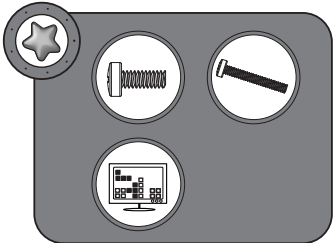


STAGE 3: Hang Monitor by Top Screws onto Bracket

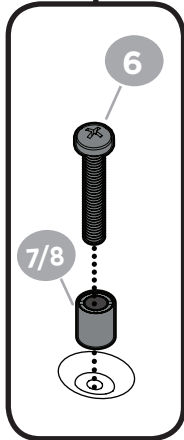




STAGE 4: Partially Insert Bottom Screws

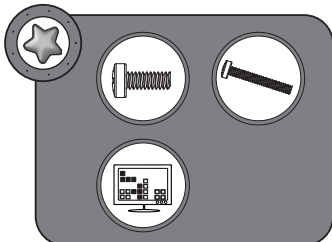


OR

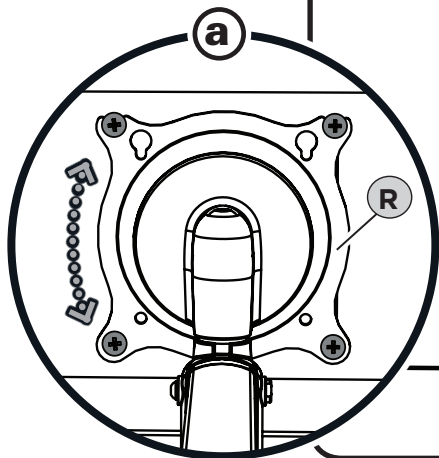
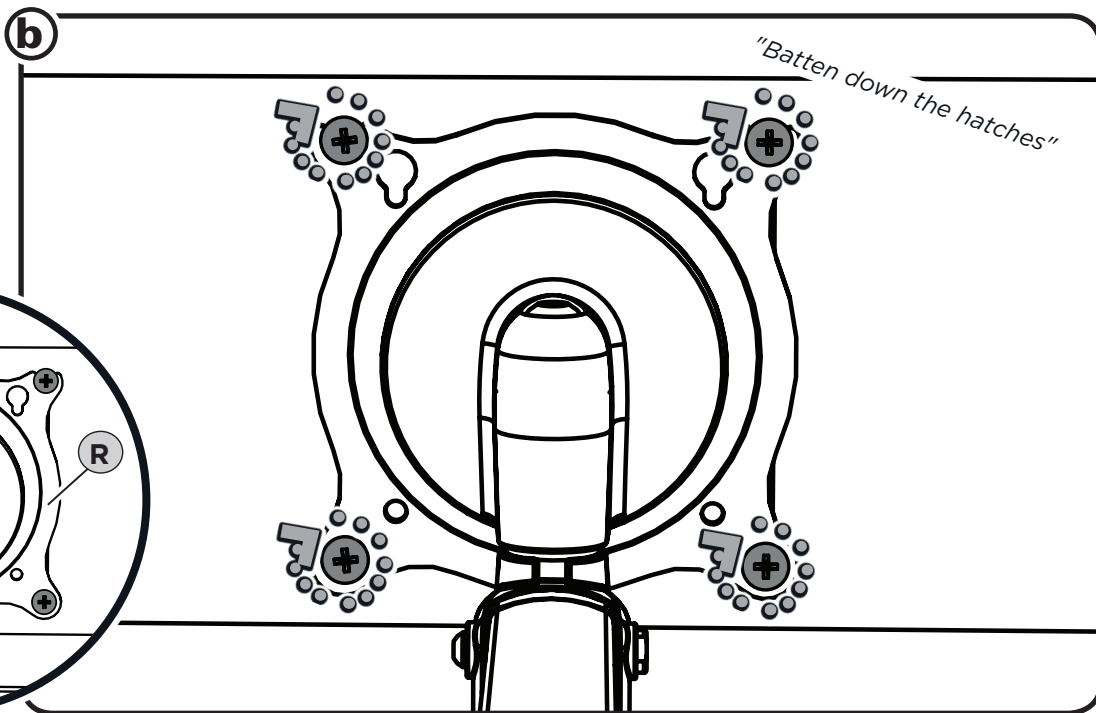
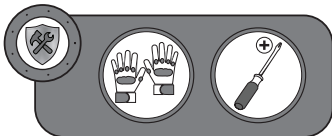




STAGE 5: Test and Tighten All Screws to Secure Monitor



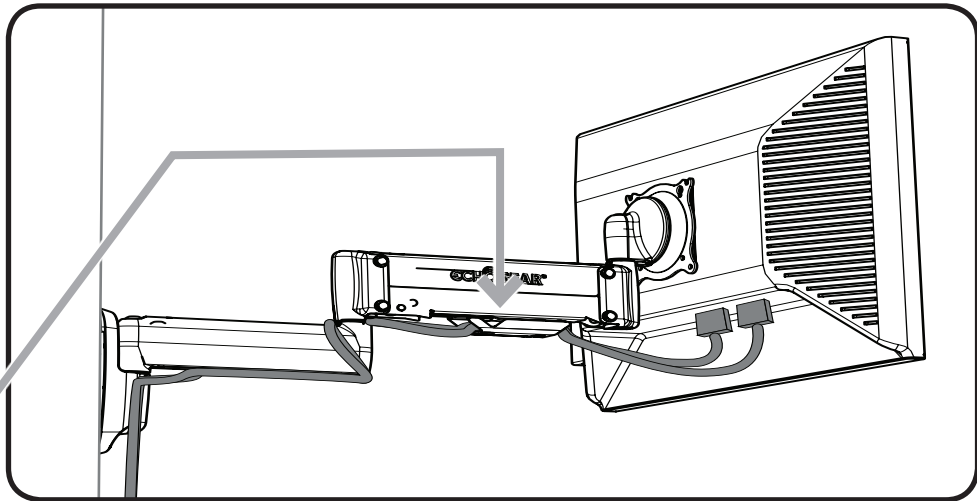
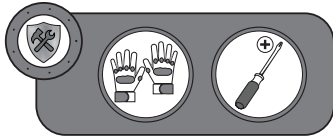
IMPORTANT: YOU SHOULD TEST THE TENSION OF THE ROTATING BRACKET [Ⓜ] TO ASSURE THE MONITOR MOVES WITH EASE AND STAYS IN POSITION BEFORE TIGHTENING ALL SCREWS. See page 20 to adjust bracket tension.



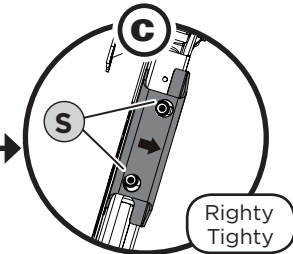
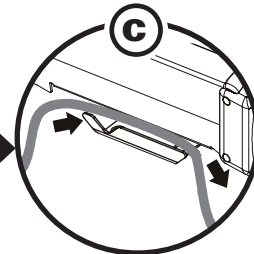
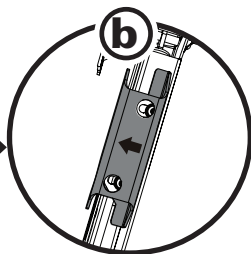
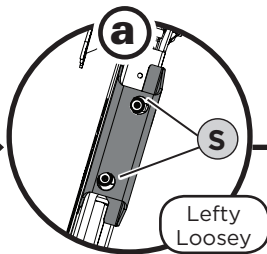
LEVEL 3 CONTROL THE MELEE! ROUTE AND DISGUISE CABLES



STAGE 1: Route All Cables Through Bracket

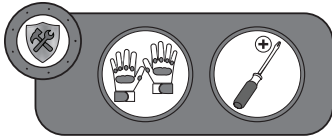
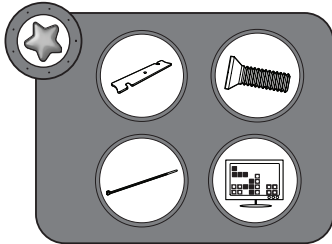


NOTE: FOR THICKER CABLES USE HEX KEY **C** TO LOOSEN SCREWS **S** ON ARM BRACKET AND SLIDE BRACKET OUT.

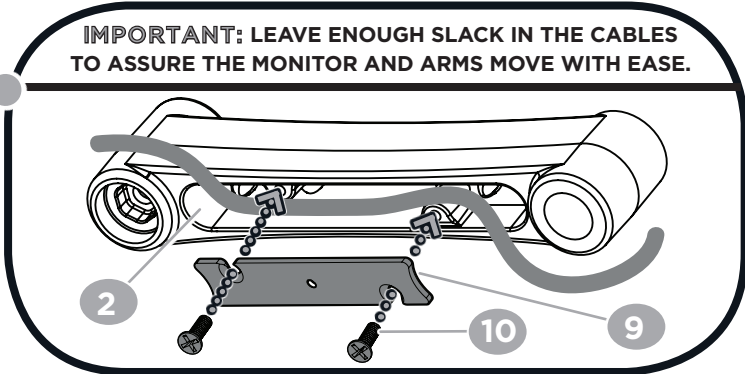
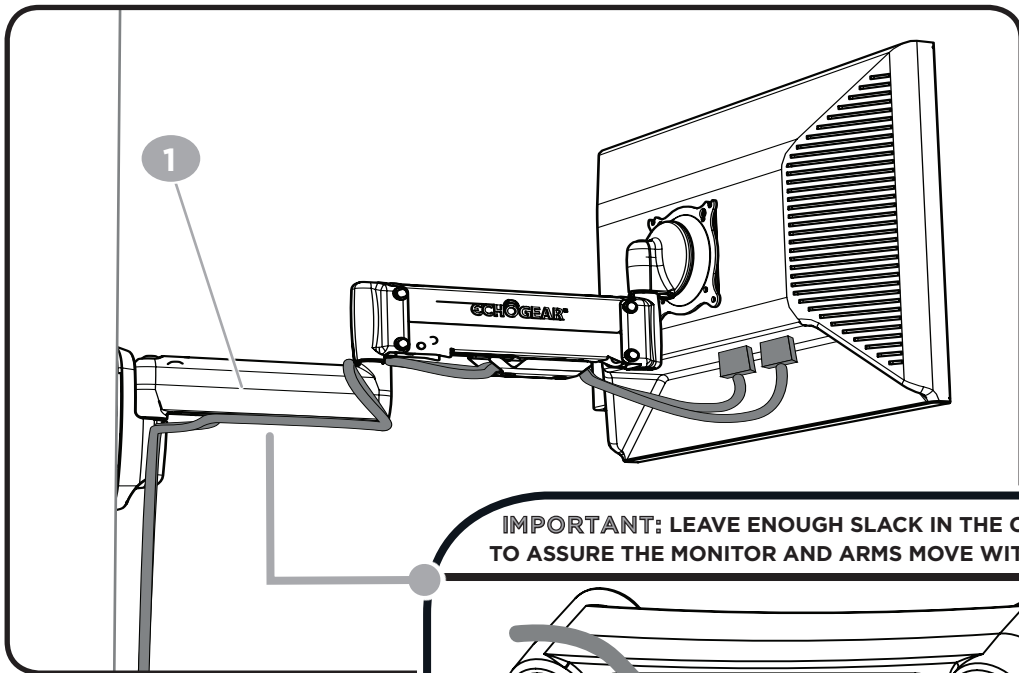


♥ "U R A BOSS"

STAGE 2: Secure Cables with Arm Cover⁺¹



"Make the proper adjustments. Then it's time to post some pics of your battlestation. Don't forget to add: #YourGearUpgraded"



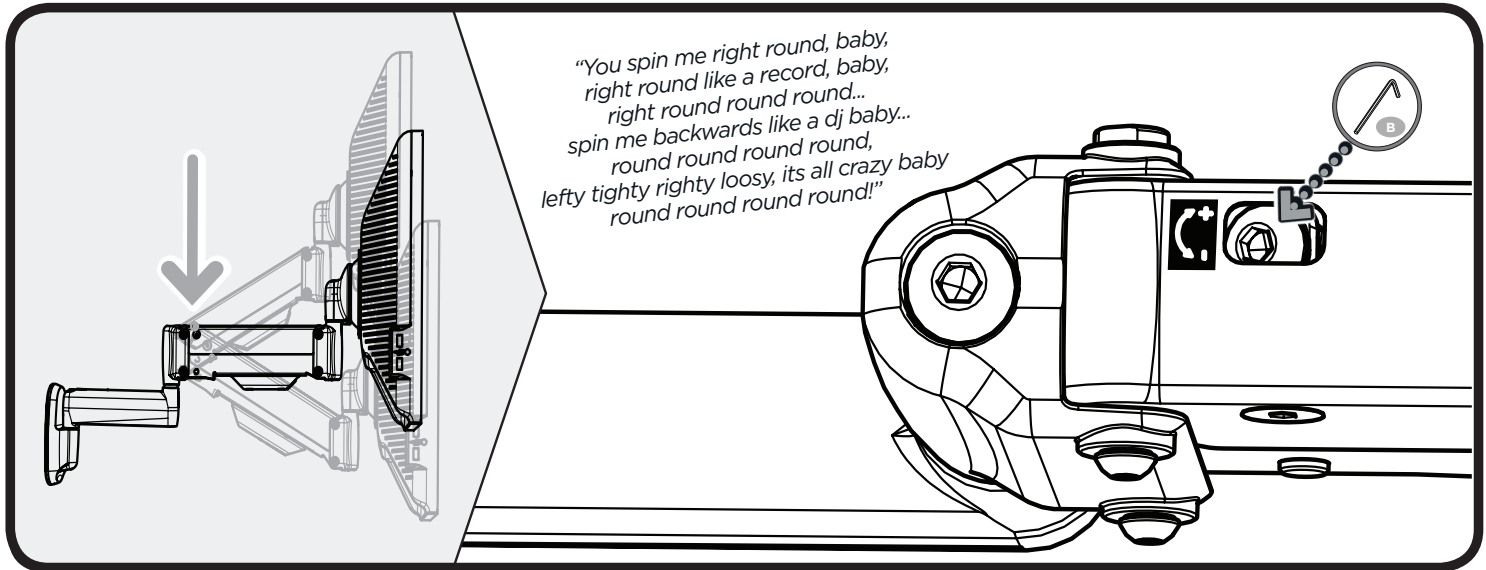
BONUS LEVEL! ADJUSTMENTS /MODIFIERS

Vertical Position - Adjust Monitor Up and Down

TIP: INITIALLY, NEARLY ALL MONITORS WILL REQUIRE POSITIVE ADJUSTMENT (UP TO 20 TIMES). IF THE MONITOR IS NOT STAYING AT DESIRED HEIGHT OR NOT MOVING WITH EASE:

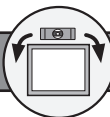
- ADJUST TENSION SCREW ON THE TOP OF THE MOUNT.
- START BY TURNING 5 OR 6 TURNS, **+** = **MORE TENSION** OR **-** = **LESS TENSION**.
- REPEAT TURNS UNTIL DESIRED TENSION IS ACHIEVED.

NOTE: YOU MAY NEED TO ADJUST HEIGHT OF ARM TO GAIN ACCESS TO SCREW.

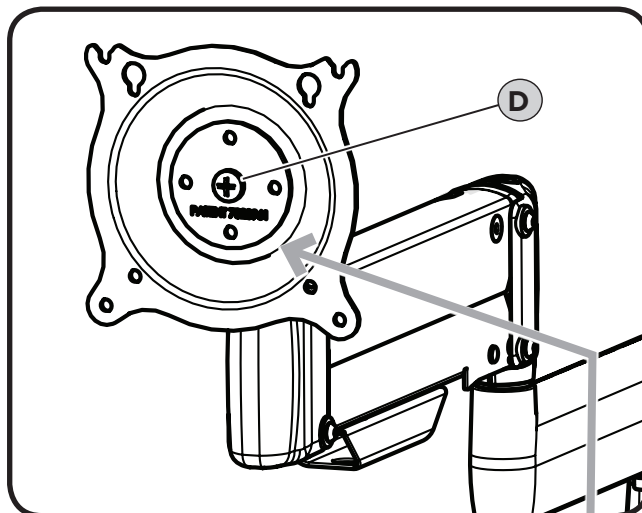
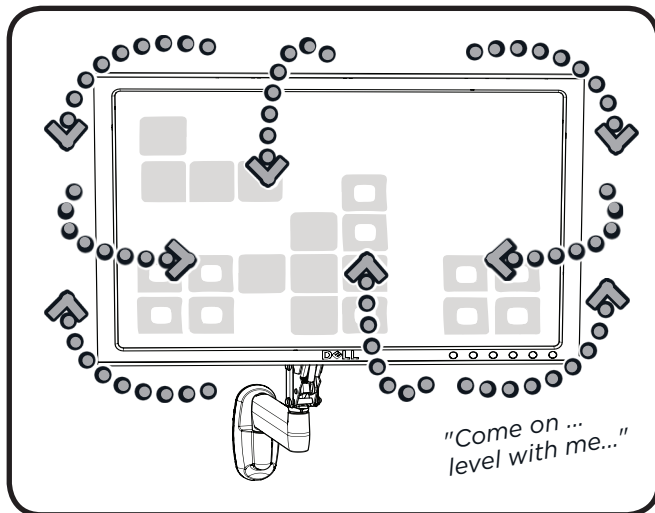




Tilt &



Level - Tilt and Turn Monitor 360°



⚠ CAUTION: USE CARE WHEN ADJUSTING MONITOR NEAR WALL

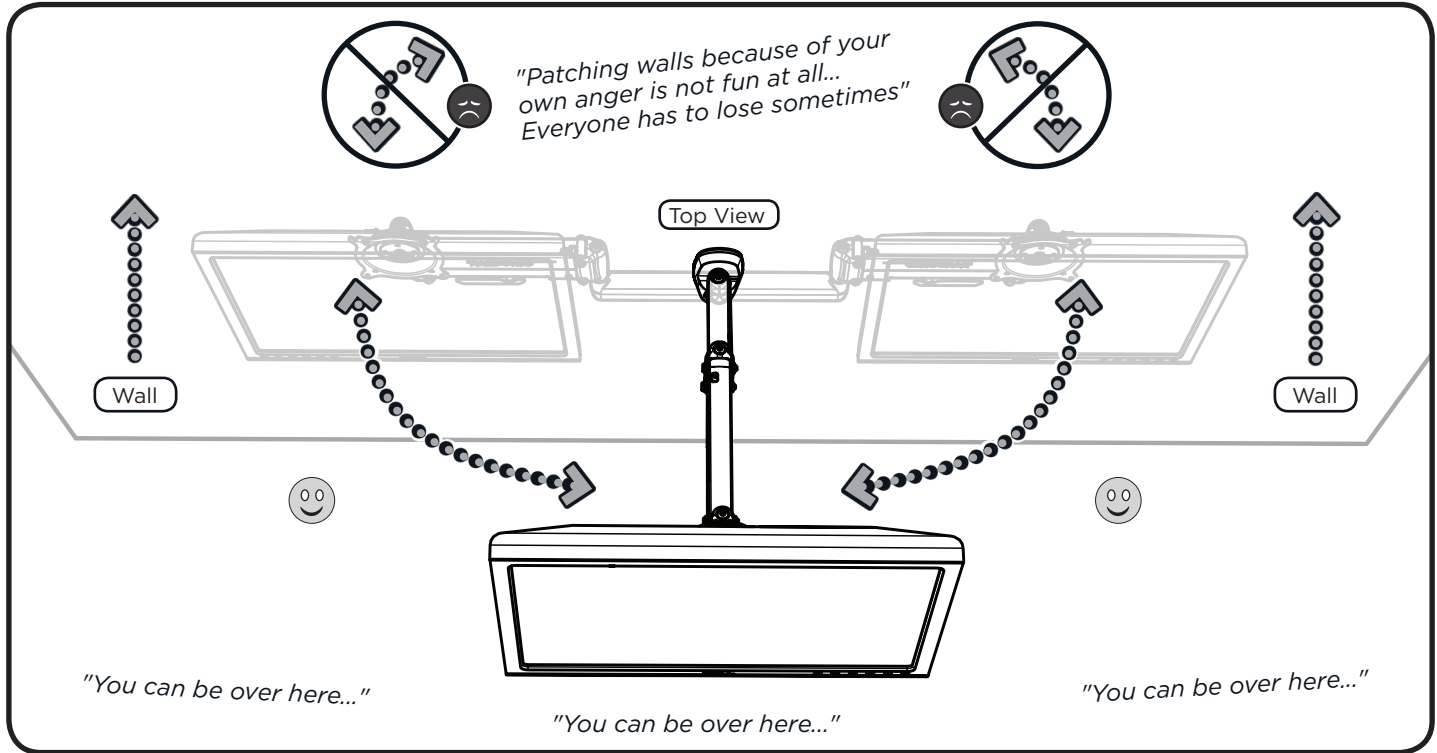
IF MONITOR DOES NOT MOVE WITH EASE OR WILL NOT LOCK INTO DESIRED POSITION:

Remove the monitor. Turn the screw **D** on the tension bracket either counter-clockwise (loosen) or clockwise (tighten) **D**. Repeat as needed.



Horizontal Position - Adjust Monitor Left or Right

⚠ CAUTION: USE CARE WHEN COLLAPSING MOUNT AND ADJUSTING MONITOR NEAR WALL



HOW TO REMOVE MOUNT FROM MONITOR AND SURFACE



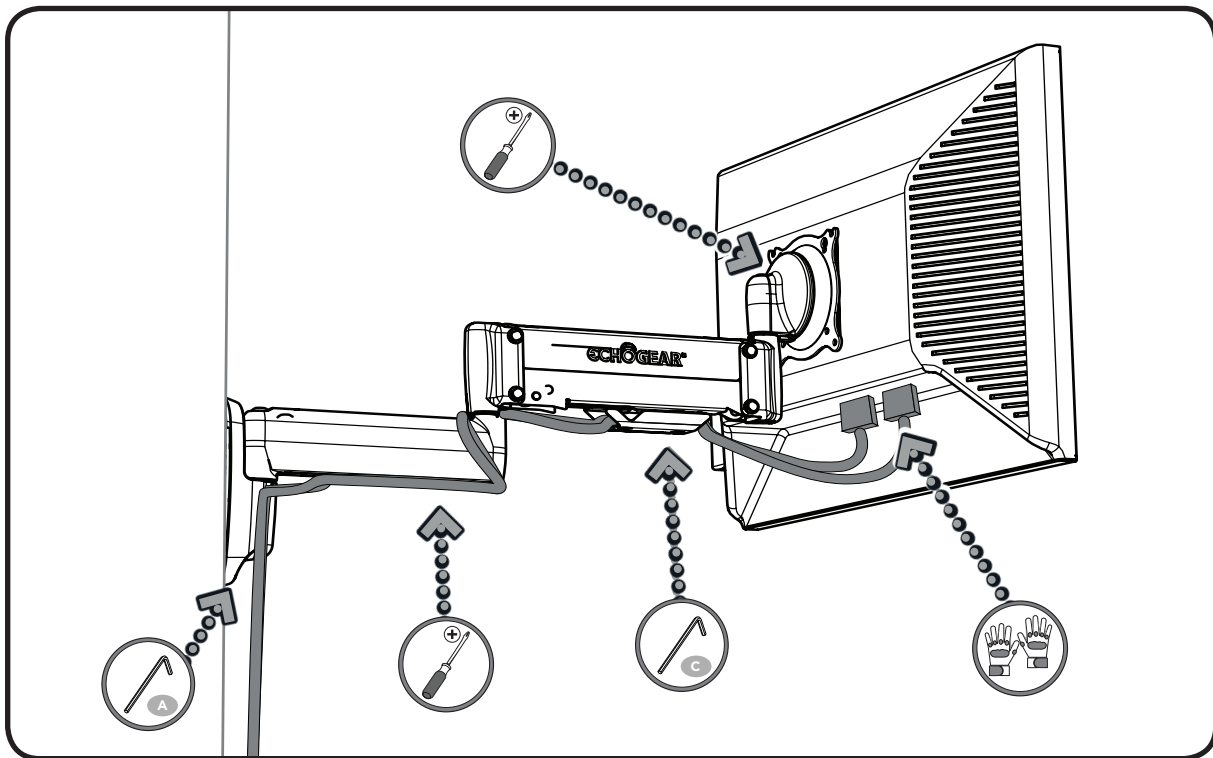
1. Remove Cables



2. Remove Monitor



3. Remove Mount





“Wanna show off your skillzz?
Share a picture of your completed mount
with **#YourGearUpgraded**.
Who knows, it might not be as bad as you thought”

Confuzzled? Contact the ECHOGEAR Pros:



1-855-428-2490



helpmehelpyou@ECHOGEAR.com



ECHOGEAR.com

Milestone AV Technologies and its affiliated corporations and subsidiaries (collectively, “Milestone”), intend to make this manual accurate and complete. However, Milestone makes no claim that the information contained herein covers all details, conditions, or variations. Nor does it provide for every possible contingency in connection with the installation or use of this product. The information contained in this document is subject to change without notice or obligation of any kind. Milestone makes no representation of warranty, expressed or implied, regarding the information contained herein. Milestone assumes no responsibility for accuracy, completeness or sufficiency of the information contained in this document.

©2018 Milestone AV Technologies. All rights reserved. ECHOGEAR is a Milestone brand.

ECHOGEAR and the ECHOGEAR logo are trademarks of Milestone.

Made in China.

Milestone Global Headquarters • 6436 City West Parkway • Eden Prairie, MN 55344 USA

6901-602311 00